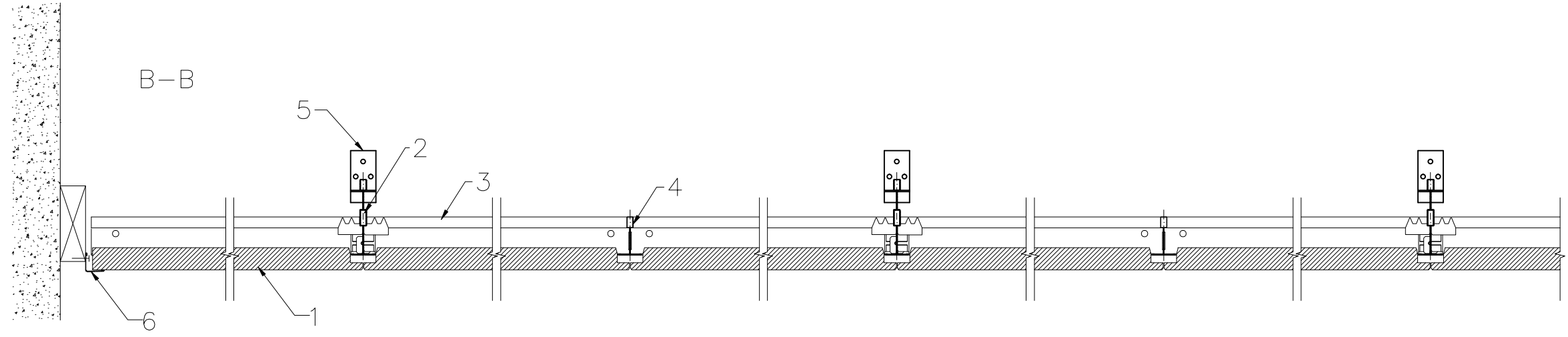
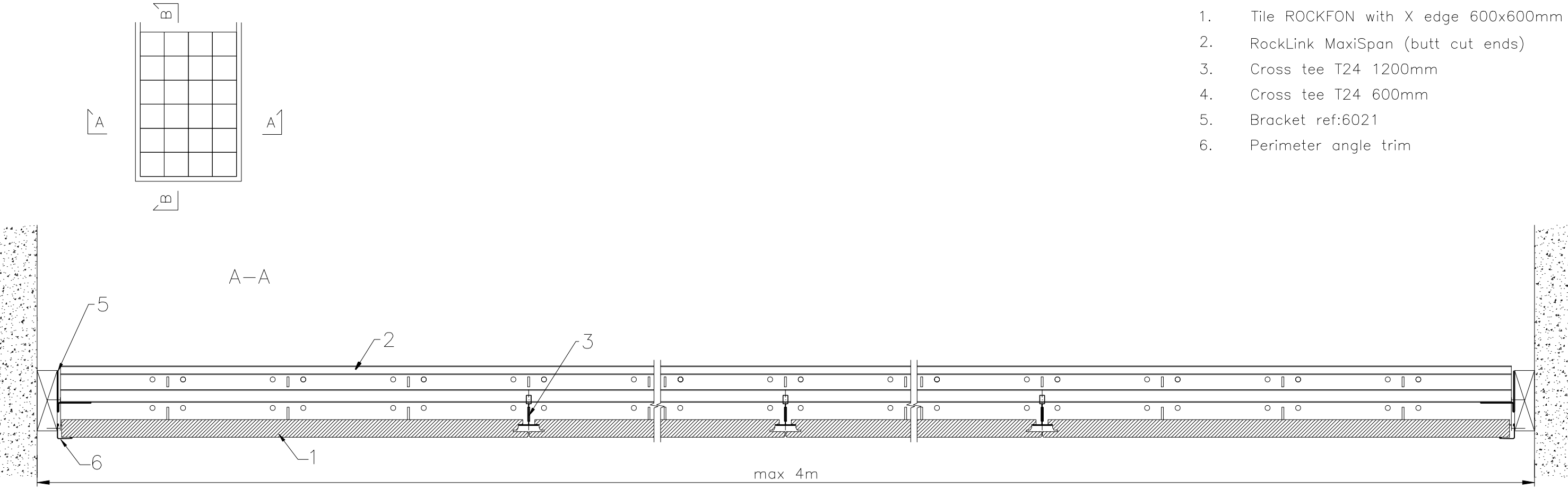


1. Tile ROCKFON with X edge 600x600mm
2. RockLink MaxiSpan (butt cut ends)
3. Cross tee T24 1200mm
4. Cross tee T24 600mm
5. Bracket ref:6021
6. Perimeter angle trim



All screws and other fastenings shown are indicative and illustrative only. Specific fasteners should be chosen dependent on substrates and materials being used.

Information:
 Corridors – RockLink MaxiSpan solution up to 4M span, X-edge
 NB: Spanning capability depends on weight of any additional loads from services

We kindly draw your attention to the fact that the above drawings should be considered as guidelines and therefore are without responsibility on the part of Rockfon Limited.

Date:	Drawing Type:	
Drawing No.:	Drawn by:	Scale: 1:5
Contact Information:		

Rockfon
 ACTIVATE YOUR CEILING
 Tel. +44 (0) 208 222 7457