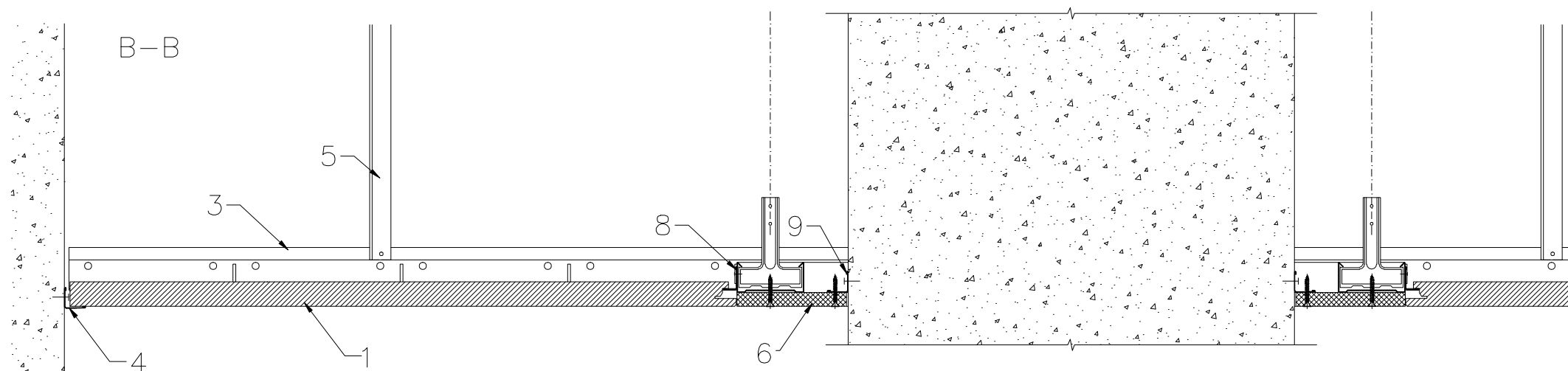
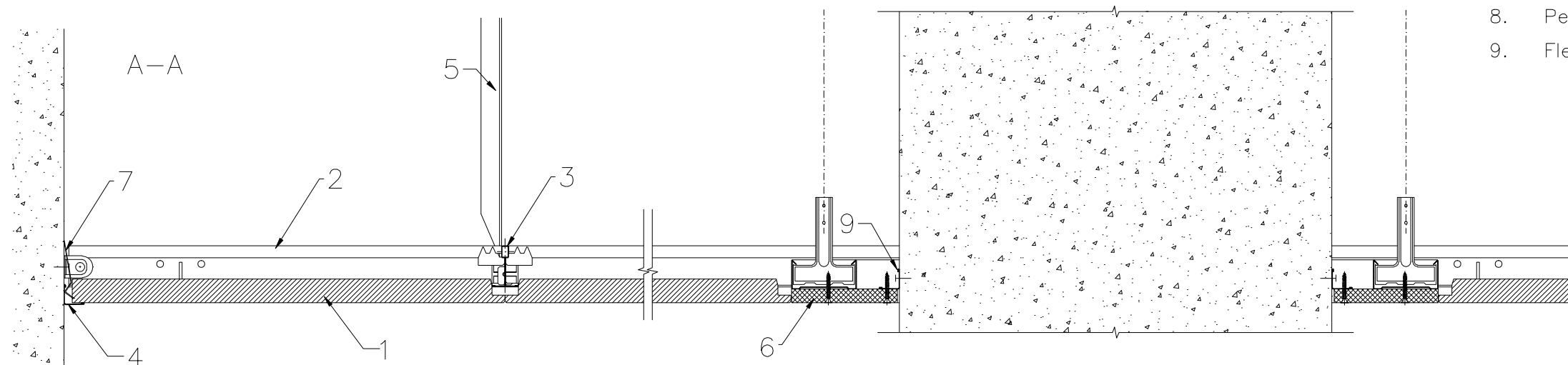


1. Tile ROCKFON with X edge
2. Cross tee T24 1800mm
3. Main runner T24
4. Perimeter angle trim
5. Rigid angle hanger
6. Gypsum board
7. Wall clip ref:88
8. Perimeter trim
9. Flexible perimeter trim



All screws and other fastenings shown are indicative and illustrative only.
Specific fasteners should be chosen dependent on substrates and materials being used.

Information:
Columns – square gypsum 'make up' piece around the column

We kindly draw your attention to the fact that the above drawings should be considered as guidelines and therefore are without responsibility on the part of Rockfon Limited.

Date:	Drawing Type:	
Drawing No.:	Drawn by:	Scale: 1:5
Contact Information:		

Rockfon
ACTIVATE YOUR CEILING

Tel. +44 (0) 208 222 7457