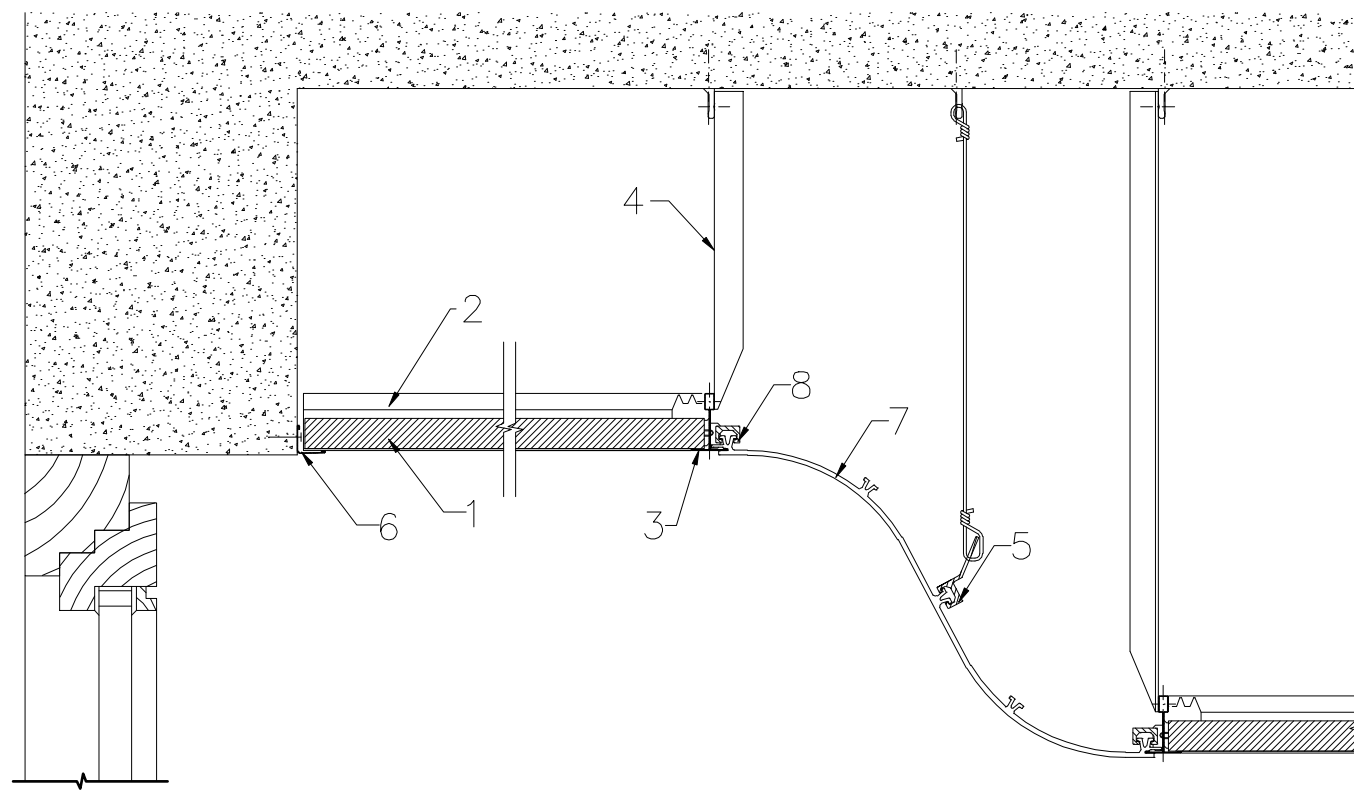
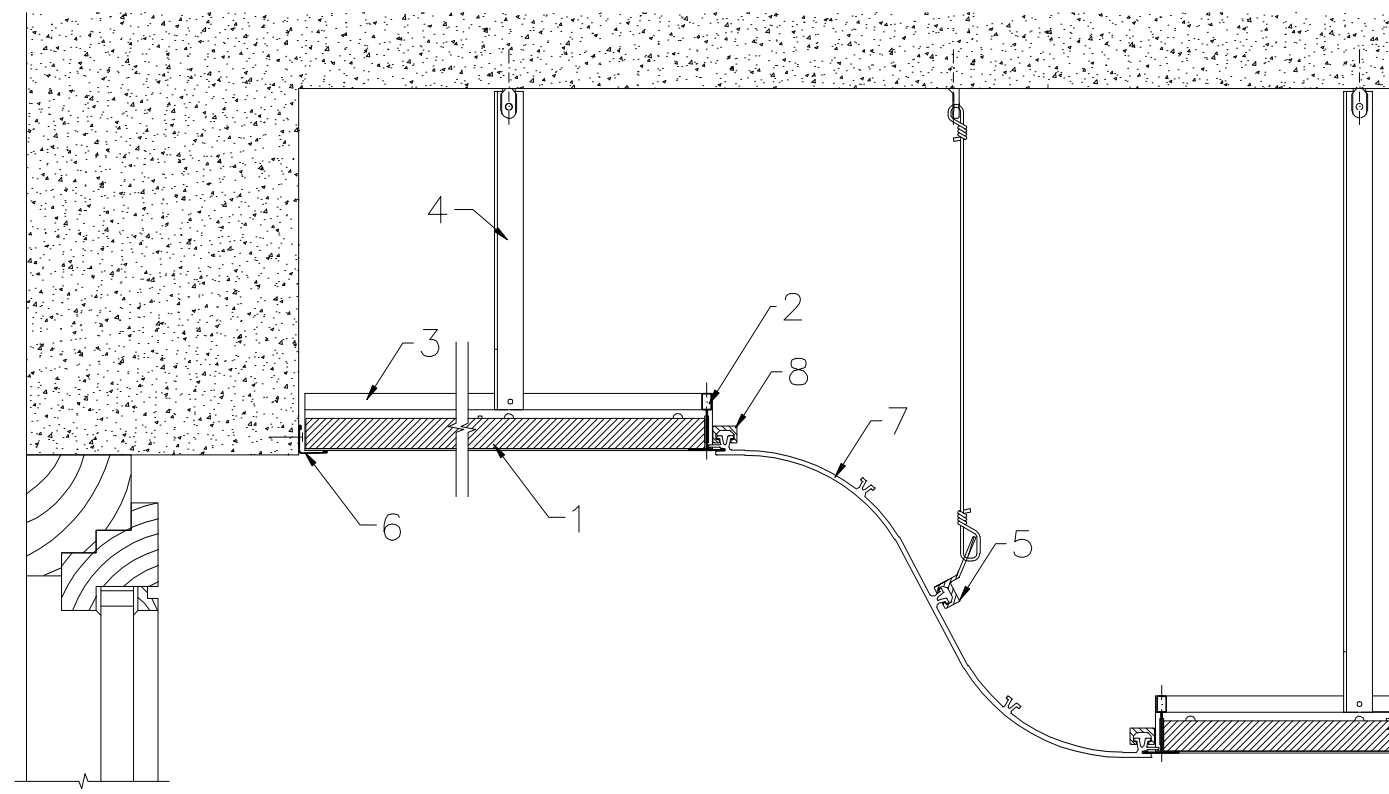


1. Tile ROCKFON with A edge
2. Cross tee T24 1200mm
3. Main runner T24
4. Rigid angle hanger
5. Frieze hanger
6. Perimeter angle trim
7. Frieze S-Line profile
8. Frieze connector

A-A



B-B



All screws and other fastenings shown are indicative and illustrative only.
Specific fasteners should be chosen dependent on substrates and materials being used.

Information:
Light from windows – Frieze S-line profile

Date:	Drawing Type:	
Drawing No.:	Drawn by:	Scale: 1:5
Contact Information:		

We kindly draw your attention to the fact that the above drawings should be considered as guidelines and therefore are without responsibility on the part of Rockfon Limited.

Rockfon
ACTIVATE YOUR CEILING

Tel. +44 (0) 208 222 7457